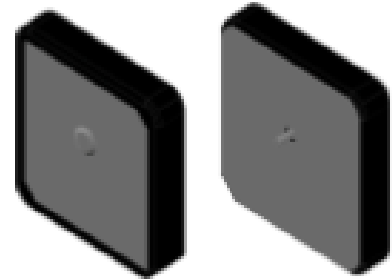


ERF4086, Ceramic SMD GPS antenna

Features

Electrical Properties Parameter:	Description
Frequency Band:	1575 ± 3 MHz
Nominal Impedance:	50 Ω
Polarization:	RHCP
V.S.W.R:	< 2.0
Gain:	1.0 dBi



Mechanical Properties

Parameter:	Description
Antenna Type:	Internal antenna
Connector Type:	SMD
Antenna Dimensions:	20 * 20 * 4 mm ± 0.3
Operating Temperature Range:	-40°C~+85°C
Storage Temperature Range:	-40°C~+85°C

Typical applications

- M2M
- GPS
- GLONASS

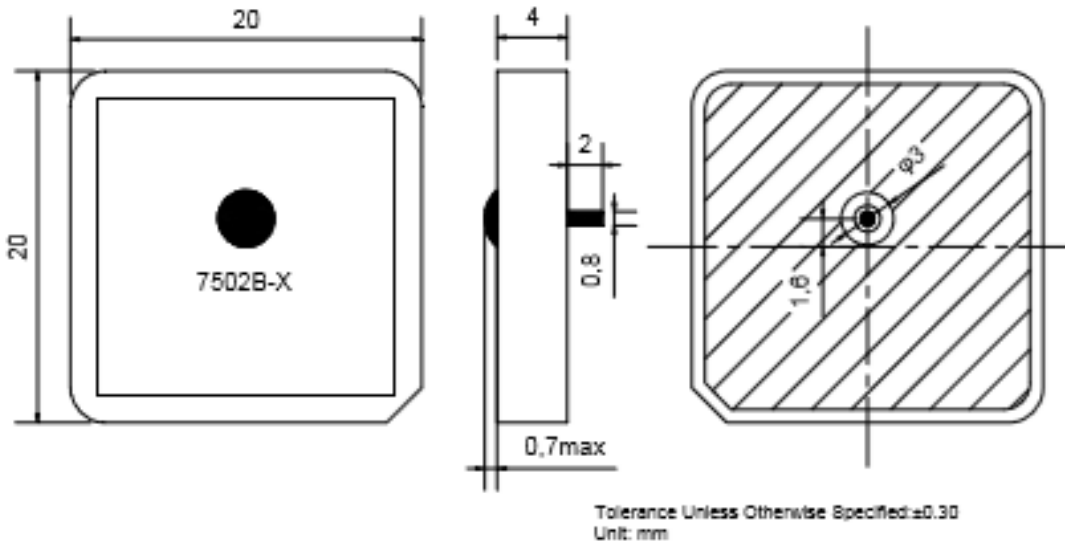
Description

The ERF4086 antenna is an internal SMD GPS antenna. The antenna requires a ground plane of 40 x 40 mm. It is also recommended to use a matching filter to tune the performance of the antenna. The antenna can be used for applications such as, M2M, GPS and GLONASS.

ERF4086, Ceramic SMD GPS antenna

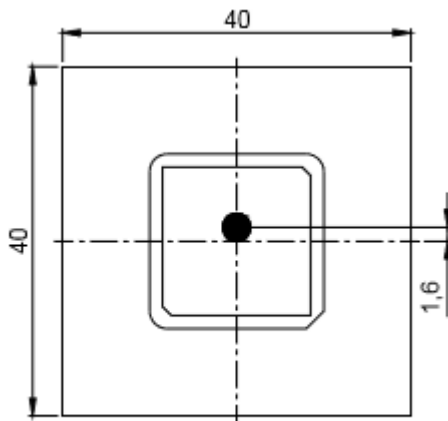
Dimensions

*unit: mm



Test Setup

*unit: mm



Ordering information

Ordering can be done via www.summit-electronics.com or via info@summit-electronics.com. Please contact us for more information. Customisation of the product is available on request.

Technical support

For all product questions please contact us via info@summit-electronics.com